

MediaDesk™ 2.1 & 5.1 Monitoring System

Blue Sky's entry level 2.1 system, MediaDesk offers full-range monitoring on the desktop and is optimized for computer-driven audio recording and production. Easily expandable to a 5.1 system as with all of our systems, MediaDesk 2.1 incorporates two ultra-compact 2-way satellite speakers, each featuring a high-quality 4" driver and a 1" tweeter, along with a dedicated 8" Powered Subwoofer and bass management system. MediaDesk can be easily upgraded to a space-efficient 5.1 multi-speaker system with the 5.1 Upgrade, which includes three more satellites, the amplifier / control module and the 5.1 Remote.



Blue Sky International

70 Sea Lane
Farmingdale, NY 11735
www.abluesky.com



MediaDesk™

Technical Information

This next section outlines the components, specifications and performance data that make this product such a uniquely high value.

In order to continually improve all of its products Blue Sky reserves the right to change these specifications without notice.

MediaDesk 2.1 Specifications

General Specifications

Input Impedance (all inputs)
 20k Ohms balanced Input attenuator =+12 dBu
 52k Ohms balanced Input attenuator =+24 dBu
 5k Ohms unbalanced RCA input
 Common Mode Rejection Ratio
 40 dB typical @ 60Hz (balanced input only)
 Maximum Input Level
 +12 / +24 dBu balanced (Set by input attenuator)
 +14 dBu unbalanced
 Subwoofer maximum output +24 dBu balanced
 Subwoofer output impedance 200 ohms balanced

Amplifier power output

Note: Long term power output is limited by the speaker protection circuitry
 Short term power output 1 channel driven:
 65 watts x 1 @ <.05% THD into 4 ohms @ 1 kHz
 Short term power output 2 channels driven :
 55 watts x 2 @ <.05% THD into 4 ohms @ 1 kHz
 Subwoofer power output:
 65 watts x 1 @ <.05% THD into 4 ohms @ 50 HZ
 Mains voltages:
 115/230V 50/60 HZ switchable
 Maximum power consumption:
 380 watts

MediaDesk 5.1 with 3 channel upgrade

Note: Long term power limited by speaker protection circuit.

Input Impedance (all inputs)
 20k Ohms balanced Input attenuator =+12 dBu
 52k Ohms balanced Input attenuator =+24 dBu
 5k Ohms unbalanced RCA input
 Common Mode Rejection Ratio
 40dB typical @ 60Hz (balanced input only)
 Maximum Input Level
 +12/+24dBu balanced (Set by input attenuator)
 + 14 dBu unbalanced
 Short term power output 5 channels driven
 45 watts x 5 @ <.07 % THD into 4 ohms @ 1 kHz
 Volume control range 50 dB in 1 dB steps
 Channel trim range +/- 6 dB in 1 dB steps
 Lfe gain range 0 /+10 dB switchable

Satellite

- Lacquer finished baffle
- Low diffraction front baffle design with flush mounted drivers
- Solid 3/4" MDF enclosure with 1" MDF baffle
- Dimensions: Please see "Satellite Cabinet Dimensions"
- Weight 5 lbs.
- 1/4"x 20 inserts for attachment of OmniMount
- 3/8" x16 insert for attachment to microphone stand with adapter (adapter not supplied)
- 4" cast frame Neodymium hemispherical woofer
- 1" fabric dome Neodymium tweeter
- Fully video shielded
- Satellite Low frequency crossover 110 Hz
- Tweeter Crossover Frequency 2.0 kHz

The following specifications are measured using the MediaDesk Amplifier

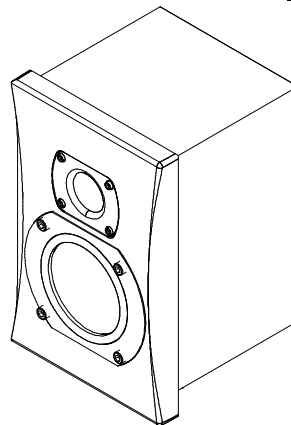
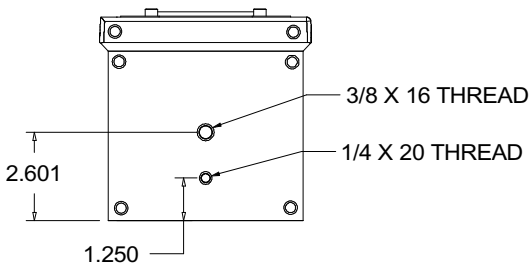
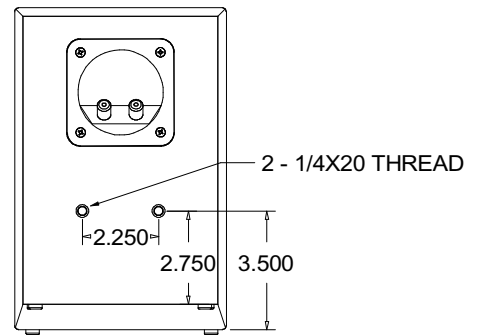
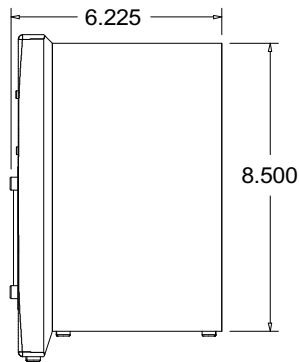
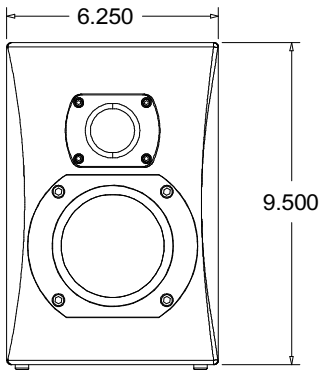
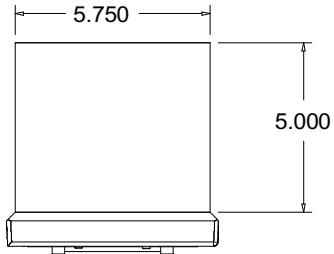
- Frequency Response Satellite
 +/- 2.5dB 300 to 10 kHz
 +/- 3.0dB 110 to 20 kHz
- Voltage Sensitivity (at reference gain)
 -12 dBu = 90dB SPL @ 1M
 Balanced Input attenuator set to +12 dBu
 1 dBu = 90 dB SPL @ 1M
 Balanced Input attenuator set to +24 dBu
 240 mV = 90 dB SPL @ 1M
 RCA input 4 ohm nominal impedance

8" Sealed Box Subwoofer

- Fully video shielded.
- Vented motor
- Foam surround
- Coated non-resonance paper cone
- Solid 3/4" MDF construction with 1" MDF baffle
- Flush mounted driver
- Isolation feet are included.
- Inserts for optional attachment of spiked feet provided
- Dimensions: 16" H x 14" W x 15" D (including heatsink and grille)
- Weight 45 lbs.
- Frequency Response Subwoofer
 Anechoic Response:
 35 to 110Hz +/-3dB
 Typical In-Room Response:
 20 to 200Hz (3000 Cubic Feet)

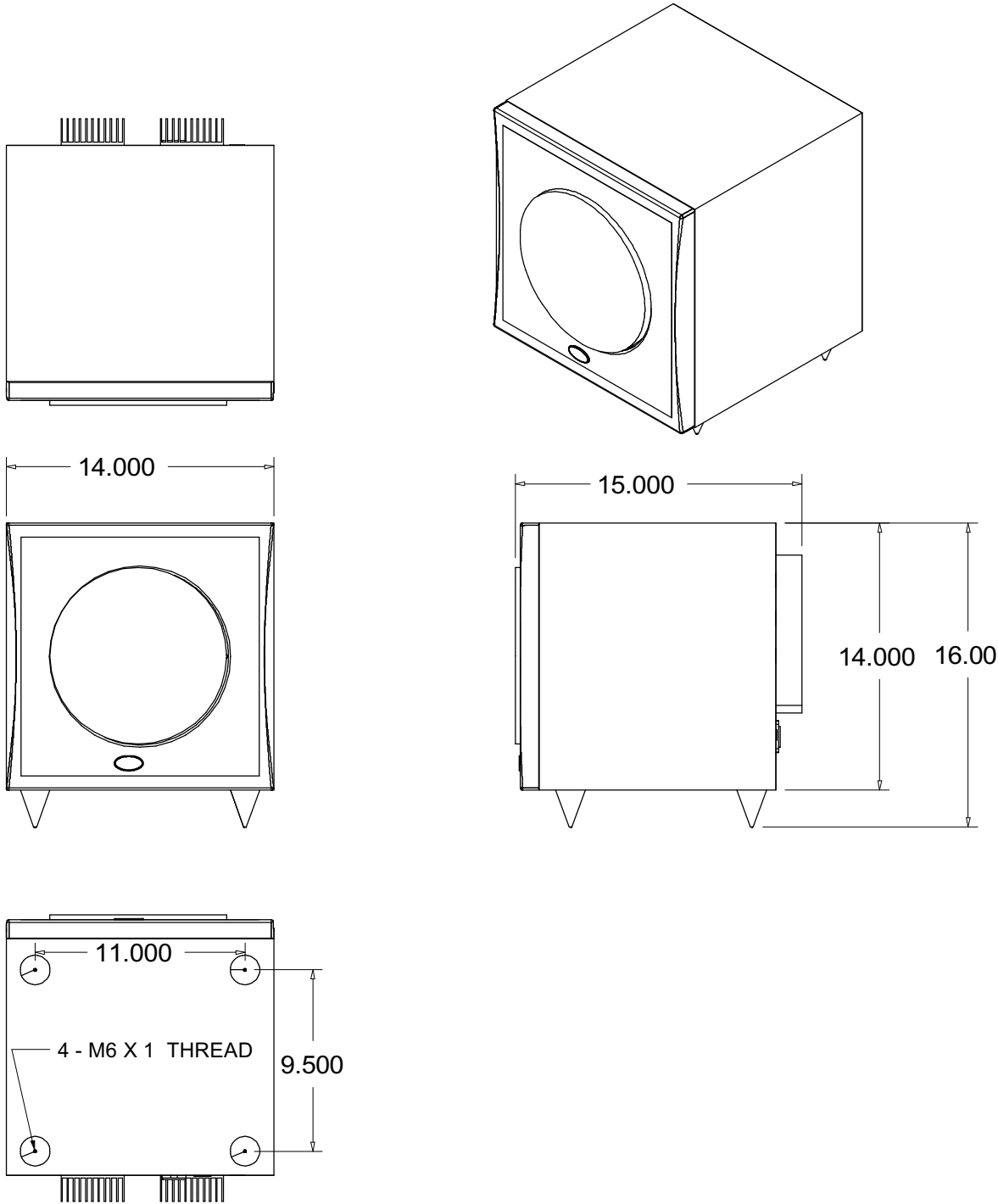


Satellite Cabinet Dimensions



**MediaDesk SAT Dimensions in
US/English Standard (inches)**

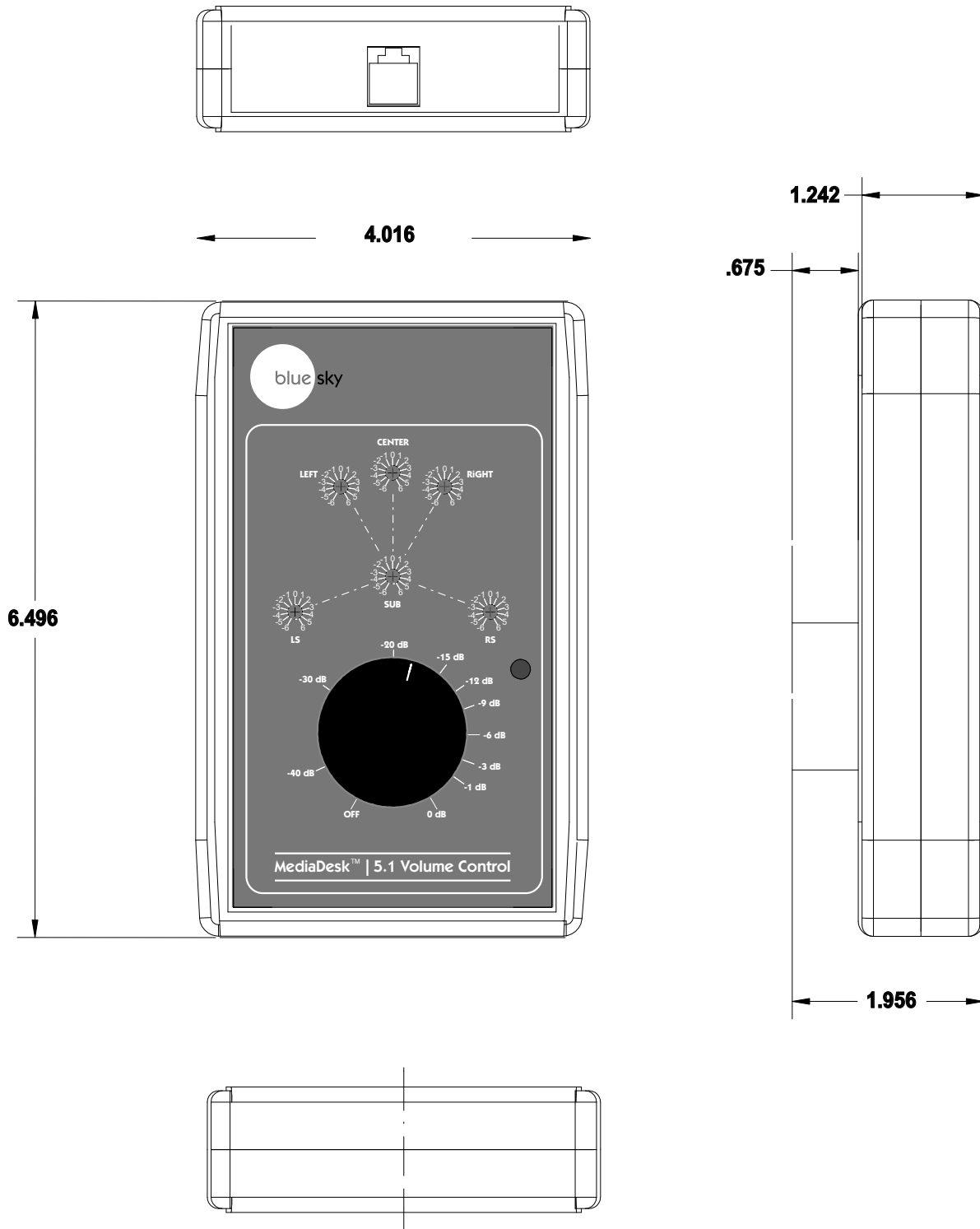
Subwoofer Cabinet Dimensions



MediaDesk SUB Dimensions in US/English Standard (inches)

MediaDesk™ 5.1 Remote

(5.1 Upgrade Only)



MediaDesk 5.1 Remote
Dimensions in
US/English Standard (inches)