

EXO

Stereo Monitoring System

Accurate, full range, desktop monitoring with the added convenience of a remote control and connection hub.

Blue Sky's EXO stereo monitoring system combines true, full range monitoring with the convenience of a desktop remote control hub – all at a great low price.

Like the larger Blue Sky systems used in professional recording studios and movie sound stages, the bass is handled by a separately-enclosed woofer, and the mid/high frequencies by the satellite speakers, leaving both uncompromised to do their jobs properly. The result is accurate, full range sound with solid, controlled bass, clear mid/highs, and exceptional stereo imaging.



The overall volume of the system and the level of the bass can be controlled easily and conveniently from the desktop remote hub, which also features an iPod® input and headphone jack. Professional

connectors on the rear of hub accept simultaneous inputs from a professional mixer/DAW and a soundcard/CD player, making EXO perfect

for applications as diverse as desktop music recording, audio production, multimedia creation, video editing and gaming – or simply for listening to music or watching movies with stunning, full range sound.



Key features

- True, full-range stereo monitoring system
- 160 Watts of total system power
- Separate subwoofer for extended low frequency response
- Convenient, desktop remote control and connection hub
- XLR inputs for pro mixers and DAWs
- RCA inputs for computer soundcards and CD players
- 3.5mm mini jack input for iPods® and mp3 players
- 3.5mm headphone jack





Stereo Monitoring System

System Specifications

Connections

XLR / TRS Combo Input
60k Ohms balanced Input gain = +0dBu
200k Ohms balanced Input gain = -12 dBu

RCA Input
30k Ohms unbalanced

3.5mm Input (front panel)
15k Ohms unbalanced

Common Mode Rejection Ratio
40 dB typical @ 60Hz (balanced inputs only)

Maximum Input Level
+18 dBu XLR / TRS/ RCA Input gain = +0dBu
+30 dBu XLR / TRS Input gain = -12dBu
+12 dBu 3.5mm / Mini-Jack (front panel input)

Voltage Sensitivity
200mV = 90 dB SPL @ 1m XLR/TRS (input gain = 0dBu)
200mV = 90 dB SPL @ 1m RCA
200mV = 96 dB SPL @ 1m 3.5mm (front panel input)

Note: 200mV = -11.75 dBu = -14 dBV

Amplification

Note: All power output measurements are made with the speaker protection circuits disabled. Long term power output is limited by the speaker protection circuitry.

Short term power output 1 channel driven
42 watts x 1 @ <.1% THD into 4 ohms @ 1 kHz

Short term power output 2 channels driven
35 watts x 2 @ <.1% THD into 4 ohms @ 1 kHz

Subwoofer power output
90 watts x 1 @ <.1% THD into 4 ohms @ 50 HZ

3.5mm headphone output
4 mW x 2 @ <.2% THD into 16 ohms @ 1 kHz

Mains voltages
115V / 60Hz (North American Version)
230V / 50Hz (Export)

Voltage is set at the factory

Maximum power consumption: 240 watts

Fuse Type and Rating:
115V = 5 x 20mm, T 2 Amp 250V (Time Delay)
230V = 5 x 20mm, T 1 Amp 250V (Time Delay)

Satellite

3" cast frame midrange driver, hemispherical anodized aluminium cone, Neodymium motor structure

1" fabric Neodymium tweeter

Fully video shielded

Low frequency crossover 140 Hz / Tweeter Crossover Frequency 2200 Hz

Nominal SAT impedance 4 Ohms

Frequency Response
+/- 2.0dB 200 Hz to 10 kHz, +/- 3.0dB 140 Hz to 20 kHz

The single 1/4" X 20 insert on the back of the EXO SAT is compatible with BT Technologies BT-33 Brackets and OmniMount type 10 Series wall / ceiling brackets.

Dimensions: 8" H X 5" D x 5" W (20.3cm X 12.7cm x 12.7cm)
Weight: 3 lbs / 1.36 kg

Subwoofer

8" woofer, vented motor, paper cone with foam surround

Fully video shielded

Isolation feet are included. Inserts for optional attachment of spiked feet

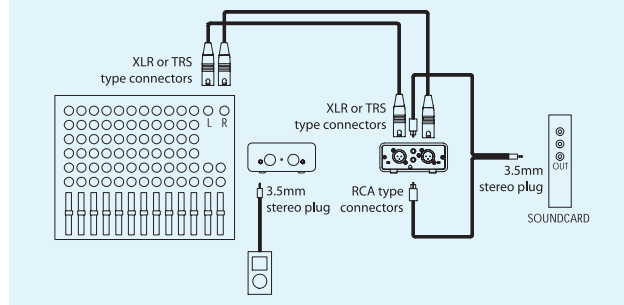
Dimensions: 12" H x 12" W x 13" D (30.5cm x 30.5cm x 33cm)

Dimensions (with feet): 13.8" H x 12" W x 13" D (33cm x 30.5cm x 33cm)

Weight: 25 lbs / 11.4kg

Frequency Response (anechoic): 35 to 140Hz +/-6dB
Typical In-Room Response: 20 to 200Hz (1500 Cubic Feet)

Connecting multiple sources



iPod is a registered trademark of Apple Computer, Inc.

