



**Blue Sky International**

70 Sea Lane

Farmingdale, NY 11735

[www.abluesky.com](http://www.abluesky.com)



# **Blue Sky | SUB 8 Universal**

100-Watt compact subwoofer with adaptive x-over

## **Owner's Manual**

# Contents

Important	<b>Safety Instructions</b> _____	Page 3
1	<b>SUB 8 Universal Introduction</b> _____	Page 4
2	<b>Important notes about the SUB 8 Universal and this Owner's manual</b> _____	Page 4
3	<b>SUB 8 Universal - What is included?</b> _____	Page 4
4	<b>Quick Setup / with filter setting instructions</b> ____	Page 5
5	<b>System Signal Connections</b> _____	Page 6
6	<b>A Tour of the Amplifier and I/O</b> _____	Page 7
7	<b>Expanded Calibration Guide</b> _____	Page 8
8	<b>Subwoofer Placement Guide</b> _____	Page 9
9	<b>Technical Information</b> _____	Page 10
10	<b>SUB 8 Universal Cabinet Dimensions</b> _____	Page 11
11	<b>Factory Service Instructions</b> _____	Page 12
12	<b>General Contact Details</b> _____	Page 13

# Safety Instructions



**WARNING:** To reduce the risk of fire or electrical shock, do not expose this equipment to rain or moisture. Do not remove cover. No user serviceable parts inside. Refer servicing to qualified personnel.

1. **READ INSTRUCTIONS** - Read all safety and operating instructions before operating this product.
2. **RETAIN INSTRUCTIONS** - Retain these safety and operating instructions for future reference.
3. **HEED WARNINGS** - Follow all warnings on this product and in the operating instructions.
4. **FOLLOW INSTRUCTIONS** - Follow all operating and use instructions.
5. **ATTACHMENTS** - Do not use attachments not recommended by the product manufacturer as they may cause hazards.
6. **WATER AND MOISTURE** - Do not use this product near water - for example, near a bathtub, washbowl, kitchen sink, or laundry tub; in a wet basement; or near a swimming pool; and the like.
7. **ACCESSORIES** - Do not place this product on an unstable cart, stand, tripod, bracket, or table. The product may fall, causing serious injury to a child or adult, and serious damage to the product. Use only with accessories recommended by the manufacturer, or sold with the product. Any mounting of the product should follow the manufacturer's instructions and should use a mounting accessory recommended by the manufacturer.
8. **POWER SOURCE** - This product should be operated only from the type of power source indicated on the marking label on the back of the product. It is **IMPORTANT** to confirm that the voltage selector switch on the back of the subwoofer is set to the proper voltage setting. If you are unsure of the type of power that is supplied to your home, consult your product dealer or local power company.
9. **LIGHTNING** - For added protection for this product during a lightning storm, or when it is left unattended and unused for long periods of time, unplug it from the wall outlet. This will prevent damage to the product due to lightning and power-line surges.
10. **OVERLOADING** - Do not overload wall outlets or extension cords as this can result in a risk of fire or electric shock.
11. **LIQUID ENTRY** - Never spill any liquid of any kind on the product.
12. **SERVICING** - Do not attempt to service this product yourself. Opening or removing covers, including any over bottom or side speaker drivers, may expose you to dangerous voltage or other hazards. Refer all service to qualified service personnel.
13. **DAMAGE REQUIRING SERVICE** - Unplug this product from the wall outlet and refer servicing to qualified personnel under the following conditions:
  - a. When the power-supply cord or plug is damaged.
  - b. If liquid has been spilled, or objects have fallen into this product.
  - c. If the product does not operate normally by following the operating instructions. Adjust only controls that are covered by the operating instructions as an improper adjustment of other controls may result in damage and will often require extensive work by a qualified technician to restore the product to its normal operation.
  - d. If the product has been dropped or damaged in any way.
  - e. When the product exhibits a distinct change in performance - this indicates a need for service.
14. **REPLACEMENT PARTS** - When replacement parts are required be sure the service technician has used replacement parts specified by the manufacturer or have the same characteristics as the original part. Unauthorized substitutions may result in risk of fire, electric shock, or other hazard.
15. **SAFETY CHECK** - Upon completion of any service or repairs to this product, ask the service technician to perform safety checks to determine that the product is in proper operating condition.
16. **HEAT** - This product should be situated away from heat sources such as radiators, heat registers, stoves, or other products that produce heat.

# 1. SUB 8 Universal Introduction

Blue Sky is a philosophy. We design each product to represent the highest ratio possible of performance to cost, providing the highest value added to our customers.

We will continually seek out opportunities to utilize the talent of the Blue Sky team to realize this philosophy. Our customer's value requirements will always be our prime focus, and only those products that achieve our performance value ratio will earn the right to carry the Blue Sky logo.

To that end we are proud to introduce the Blue Sky SUB 8 Universal, the first subwoofer from Blue Sky which allows you to add true low frequency extension to your existing nearfield monitors. In addition the SUB 8 Universal can be combined with Blue Sky's SAT 5 to form the highly acclaimed and award winning ProDesk™ 2.1 Monitoring System.

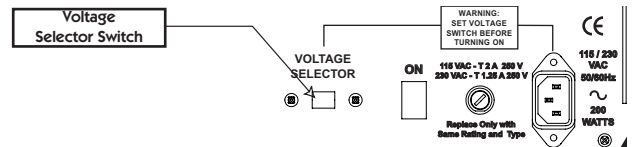
We hope that this subwoofer brings you years of accurate and problem free operation. We ask that you take the time to read this manual, register the product and visit our website for any updated information regarding this product. If you have any questions please don't hesitate to contact us. [www.abluesky.com](http://www.abluesky.com)

**Thank you for choosing Blue Sky!**

# 2. Important notes about the SUB 8 Universal and this Owner's Manual

## Voltage Selector Switch:

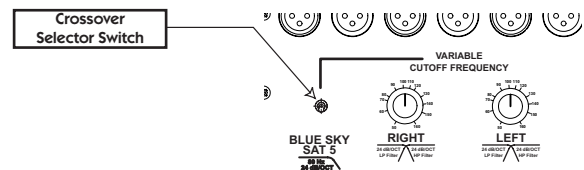
Prior to powering this unit, please confirm that the voltage selector switch, located on the back of the subwoofer, has been set to the correct voltage setting. If you are unsure of the type of power that is supplied to your home / studio, consult your product dealer or local power company.



## The Owner's Manual:

This manual addresses SUB 8 Universal applications relating to setup and operation with **non** Blue Sky nearfield monitors. For setup information relating to the use of this product with Blue Sky's SAT 5, please read the manual that is included with the SAT 5.

**IMPORTANT, PLEASE NOTE:** If you are planning to use the SUB 8 Universal with Blue Sky's SAT 5, please set the selector switch on the back of the SUB 8 Universal to the Blue Sky SAT 5 setting. You will also need to set the 80Hz High Pass Filter on the SAT 5 so that it is "in" circuit.



# 3. SUB 8 Universal, what is included?

The SUB 8 Universal includes the items listed below. Please carefully unpack each item and inspect the components for damage. If any part of the system has been damaged, please contact the dealer that supplied the product or Blue Sky directly.

## SUB 8 Universal Inventory:

- 1 SUB 8 Universal
- 1 Power Cable
- 1 Owner's Manual
- 1 Warranty Card

## 4. Quick Setup

1. If you haven't already done so, carefully remove all items from the packaging and confirm that everything that is listed on page 4 is included. [SUB 8 Universal - What is included?].
2. The SUB 8 Universal is compatible with XLR input / output connections. For more information on connecting your system, please see page 6 [System Signal Connection].
4. The first step in the installation process is to position the subwoofer. Although you have great flexibility with regard to where the active subwoofer can be placed, a good starting point is centered between the left and right satellite speakers. This could be under a console / desk, behind the console / desk, etc. For an expanded subwoofer placement guide, please see page 9 [Subwoofer Placement Guide].
5. Once the subwoofer is in position, connect the two input cables from the left and right analog outputs from the mixing console, digital workstation or other source, to the left and right inputs on the subwoofer. For more information on connecting your system, please see page 6 [System Signal Connection].
6. Our recommended position for the nearfield monitors is based on an ITU standard and sets the speakers at 60 degrees from the listener, forming an equilateral triangle (a triangle with equal sides) - **See Figure 1**. Fortunately, this setup eliminates most of the math and is easily simplified to the following guidelines: If you want to sit 1 meter (39.37 inches) from the speakers, place the speakers 1 meter apart. If you want to sit 2 ft. from the speakers, place the speakers 2 ft. apart. Etc. The monitors can be positioned on a console, desk, on stands, etc. Ideally your nearfields should be at seated ear height. If this is not possible, tilting the cabinet at the listening area can improve high-frequency coverage.
7. Once all the nearfields are properly placed, connect your left nearfield monitors to the left output on the back of the sub, via XLR cable. Now do the same for the right channel, connecting the right nearfield to the right output. Lastly, please plug in the power cord to the IEC connector on the subwoofer. Prior to proceeding confirm that the system is wired correctly, as shown on page 6 [System Signal Connection].
8. At this point the monitoring system is correctly configured, and ready for the final step in the installation. Prior to plugging the system into the wall outlet, and powering up the system, do a final quick check of all connections and level settings.
9. If everything is correct, plug the power cord into the wall outlet. **Do not turn on the power switches, yet!** Some mixers and out-board equipment such as D-to-A converters and equalizers generate loud rail-to-rail pops when they initially turn-on. Depending on the level and the gain setting of the monitoring system, these pops could damage your monitors. To avoid this, always turn on equipment in the following sequence: All sources

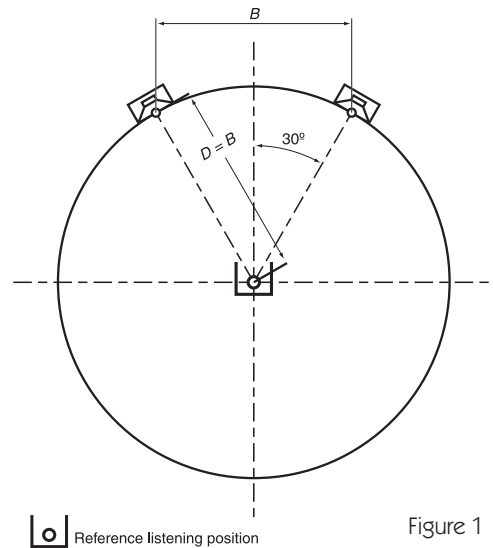


Figure 1

and mixer first, and then the SUB 8 Universal and the rest of your monitoring system.

10. It is now time to set the Variable Cutoff Frequency on the back of the SUB 8 Universal to best match your nearfield monitoring system. To determine the proper filter setting on the SUB 8 Universal, you first need to know the cutoff frequency of your nearfield monitors. This can typically be found in the manual, under specifications and may look like this: **40Hz to 20kHz +/-3dB**. The low frequency cutoff off for the monitor in this example would be around 40Hz. We recommend you set the SUB 8 Universal one octave above this cutoff frequency. To go up one octave, multiply the LF cutoff frequency times two. In our example this would be 80Hz, because  $2 \times 40\text{Hz} = 80\text{Hz}$ . **Make sure to set both the left and right channel to the same setting.**
11. At this point the Blue Sky monitoring system is fully operational, and ready for use. Begin by playing familiar pieces of music, which can assist you in the fine-tuning first the level and then the placement of the subwoofer. It is important to remember that the positioning of the subwoofer in the room will impact the subwoofer level. You may find it necessary to increase or decrease the level of the subwoofer to best match your nearfield monitors. Again use a familiar piece of music which includes plenty of LF material to help you set the proper level.
12. If a more exacting setup is required, using test signals and a SPL meter, please see Page 9 [Expanded Calibration Guide].
13. Just remember - Use your ears, they are the best audio tool you have and you will be amazed how accurate the setup can be if you use familiar audio material during the setup of the system.
14. Congratulations! You have now completed the "quick setup" of the SUB 8 Universal. If you have any questions, please do not hesitate to contact us directly with your questions. (516) 249-1399 (9:00am to 5:30pm EST)

# 5. System Signal Connections

## CABLE WIRING SPECIFICATIONS

Most users of the SUB 8 Universal will be using ready made cables, however if you need to wire your own cables, follow the wiring specifications below.

	XLR	TRS	RCA
HOT ( + )	Pin 2	Tip	Tip
COLD ( - )	Pin 3	Ring	
SHIELD (GROUND)	Pin 1	Shield	Shield

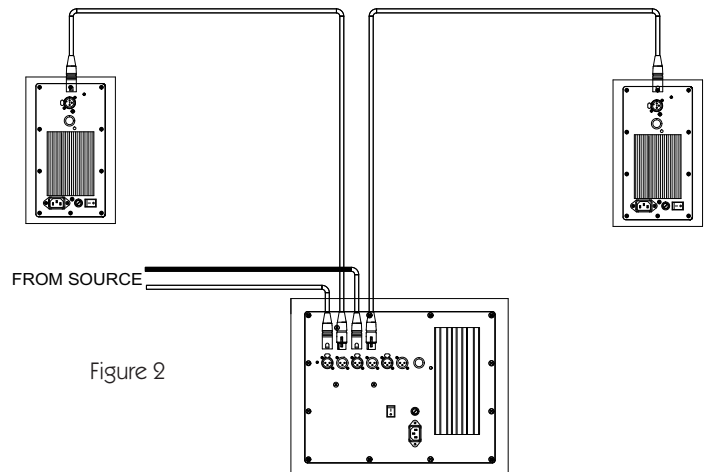
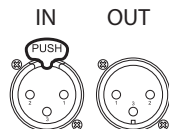
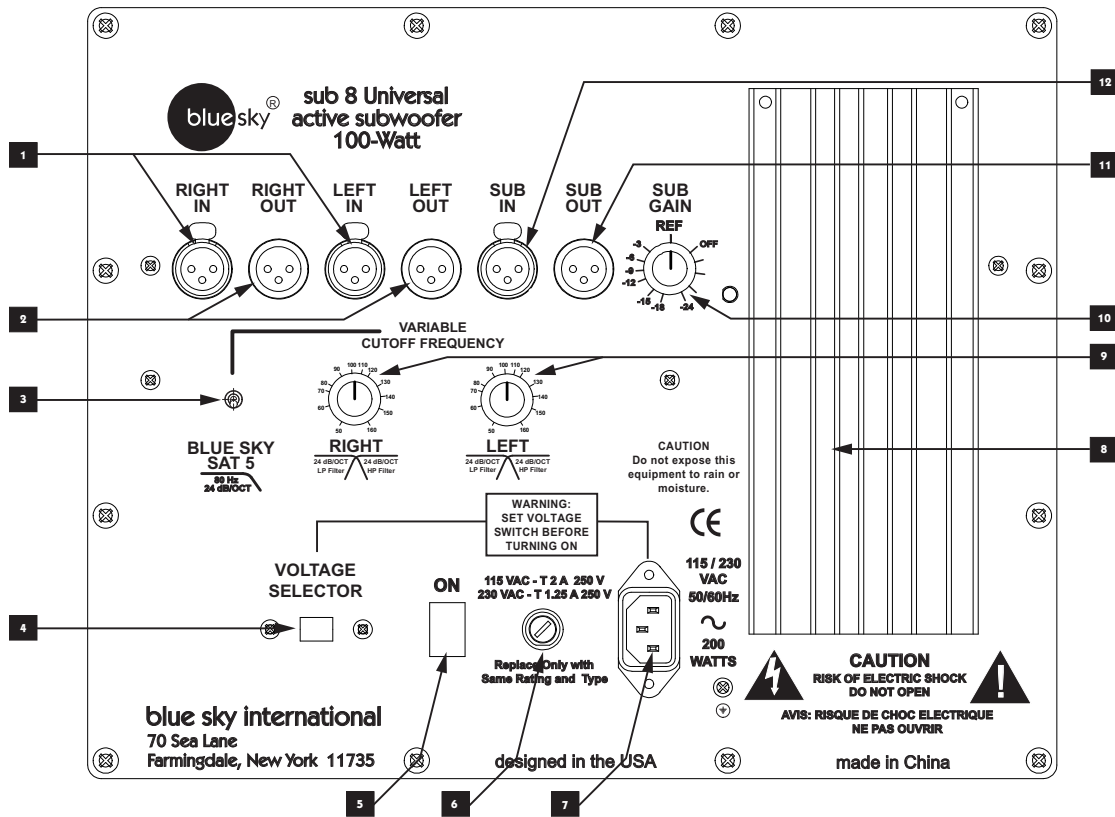


Figure 2

## XLR INPUTS (ELECTRONICALLY BALANCED)

**Figure 2:** The SUB 8 Universal XLR inputs can handle up to +24dBu of signal level at the input and are compatible with most, if not all professional gear. Additional adaptor cables can be purchased from most professional audio dealers, so that the SUB 8 Universal can be used with other output types (TRS, RCA etc.)



## 6. A Tour of the SUB 8 Universal Amplifier and I/O

1. **LEFT / RIGHT XLR IN** - These XLR inputs should be connected to the left / right output of your console or digital workstation. The inputs are electronically balanced. Do not connect more than one source to these inputs. Refer to page 6 for more information [System Signal Connection].
2. **LEFT / RIGHT XLR OUT**- These XLR outputs should be connected to the inputs of your left / right nearfield monitors. The outputs are electronically balanced. [System Signal Connection].
3. **VARIABLE / SAT 5 FILTER SWITCH** - This switch is used to either activate the variable state filters, or activate the fixed 80Hz low pass filter that is required for use with the SAT 5. If you are using the SUB 8 Universal with the SAT 5, it must be set to the SAT 5 position. Additionally, you will also need to set the 80Hz High Pass Filter on the SAT 5 so that it is "in" circuit.
4. **VOLTAGE SELECTOR SWITCH**- This switch can be set to either 115 Volts or 230 volts. Prior to powering this unit, please confirm that the Voltage selector switch, located on the back of the subwoofer, has been set to the correct voltage setting. If you are unsure of the type of power that is supplied to your home / studio, consult your product dealer or local power company. If your changing the Voltage, please also confirm the proper fuse is installed [see number 6].
5. **POWER SWITCH** - Controls the power to the amplifier and all internal electronics.
6. **FUSE** - Replace with same rating and type for your local voltage

7. **IEC RECEPTACLE** - Check voltage selector switch before connecting power. Connect to 115 Volt AC / 60Hz power source, rated for 200 WATTS or 230 Volt / 50Hz rated for 200 WATTS. Only use the supplied power cord or an IEC approved power cord with a safety ground pin.
8. **AMPLIFIER HEATSINK**- The heatsink provides essential cooling to the amplifier inside the SUB 8 Universal. Please ensure that proper air circulation is available for proper cooling.
9. **VARIABLE CUTOFF FREQUENCY CONTROL KNOBS** - These controls are for adjusting the dual 24dB per octave low and high-pass filters. The cutoff frequency can be adjusted from 50Hz to 160Hz. It is recommended that the SUB 8 Universal filters be set one octave above the natural roll off of the nearfield monitors that are being used with the SUB 8 Universal. To activate these variable filters, the VARIABLE / SAT 5 FILTER SWITCH - must be in the up position (VARIABLE). For more information see item 10 on page 4 [Quick Setup / with universal filter instructions].
10. **SUB GAIN** - This knob controls the input sensitivity of the subwoofer amplifier only. When set to the reference position a 100mV signal at the input equals 90dB output at a meter.
11. **SUB Out** - This balanced XLR output can feed additional subwoofers for increased bass performance and should be connected to the SUB IN of an additional Blue Sky SUB 8 / SUB 8 Universal. The output contains the summed low passed subwoofer output and the SUB IN audio.
12. **SUB IN** - This XLR input can be connected to either the subwoofer output of an external bass-management controller, or the "daisy-chain" output of a SUB 8 / SUB 8 Universal. This input is full-bandwidth (up to approximately 200Hz) and does not use a low pass filter.

# 7. Expanded Calibration Guide

## Instructions for electroacoustic calibration of a 2.1 audio system using a SPL meter and Blue Sky's test files.

Before starting this procedure you will need to download BlueSkyTestFiles.zip (an 18 MB zip file) by going to [www.abluesky.com/calibration](http://www.abluesky.com/calibration). To download the test file, "Right Click" and select "Save Target As". The file will begin downloading once a location has been selected.

Once downloaded, either burn the test files to a CD or import them into your DAW and follow the instructions below.

### ADDITIONAL REQUIRED ITEMS

1. 2.1 Monitoring System
2. SPL Meter - such as the SPL meter sold by RadioShack in the U.S.

BlueSkyTestFiles.zip Includes 4 files:

- 1000Hz SINEWAVE -20dBFS.wav – a 1kHz file recorded at -20dBFS for electrical calibration
- 40-80Hz PINK NOISE -20dBFS.wav – a 40Hz to 80Hz bandwidth limited pink-noise file recorded at -20dBFS
- 500-2.5kHz PINK NOISE -20dBFS.wav – a 500Hz to 2.5Hz bandwidth limited pink-noise file recorded at 20dBFS
- Pink Noise full bw -20dBFS.wav – a full-bandwidth pink-noise file recorded at -20dBFS

**These test files are all mono files. Please make sure you hard assign them to the left and then the right, not both channels at the same time. If you are using a CD player use only one channel of the CD player.**

### THEORY

The purpose of calibration is to adjust the overall electroacoustics system gain so that 0dBVU of electrical signal level equals a certain acoustic level at the listening position. Since most recording media is now digital, the reference electrical signal level is usually -20dBFS with 20dB of headroom. The reference SPL level however can vary based on the delivery media and speaker type.

Please note that the bandwidth limited signals that have been provided, limit many of the room interaction affects often associated with measuring SPL and broadband pink noise.

All test signals are recorded at -20dBFS including the 1 kHz sine wave tone. The sine wave tone is used to set the electrical output level throughout the signal path, right up to the point you get to the speakers, while the various pink noise signals are used for acoustic measurements and calibration.

The following procedure assumes you are calibrating the system to 85dBc SPL.

Step 1 TURN OFF THE MONITORING SYSTEM (until step 4)

Step 2 Remove all eq and dynamics from the signal path and set all controls to zero / unity gain. Play the 1kHz Sine Wave, hard assign it to the left channel only, and adjust the output fader so the output meter reads -20dBFS. If you are using an analog console, set the output level to 0 VU. Then hard pan the signal to the right channel output and repeat for the right channel. **Once calibrated do not**

**move the output faders.**

Step 3 Mute everything and make sure the 1kHz tone is OFF .

Step 4 Now that the system has been electrically calibrated turn ON your 2.1 System (SUB 8 Universal & nearfield monitors).

Step 5 Assign the 500-2.5kHz pink noise signal to the left channel only. Make sure there is nothing coming from the right channel (or any other channels). Because this signal is bandwidth limited, you don't have to worry about turning the sub off. There are two methods of setting the levels.

A. If you have a master monitor level control, you can set the sat gain control at reference and then adjust the monitor gain control for 85 dBc. Then mark the monitor level as your reference position.

B. The other method is to set master monitor level to the position you want as a reference level and then use the volume controls to set 85 dBc. If you use this method you should mark the knob position with a grease pencil so you can always go back to reference level if the knob gets moved.

For either method:

SPL should be measured at the mix position, with the SPL meter at arms length, with the microphone at seated ear height, angled at approximately 45 degrees, and pointed at the center point between the left and right speakers.

Once the left channel is set to 85dBc, repeat this step for the right channel

Step 6 Feed 40-80Hz pink noise signal to the left channel only. Adjust the subwoofer level control until the subwoofer reads 85dBc (slow) at the mix position. The meter will bounce around a little, so you will need to do a mental average (I tend to filter out the peaks in my mind, so I don't set the sub too hot). The right channel should measure about the same and no additional adjustments need to be made.

Step 7 You can play the full-bandwidth pink noise, assigning it to the left and then the right channel (not at the same time). You should measure about 85dBc. It may be a little higher, because below 30Hz the room may have a little extra gain. No adjustments should be made with Full Bandwidth pink noise, unless you have an RTA (real time analyzer).

Step 8 You are finished and the calibration process has been completed – enjoy!



# 8. Subwoofer Placement Guide

## So now that my system uses an integral subwoofer, how do I place it in my studio for the best possible low frequency performance?

The low frequency response and efficiency of a subwoofer are heavily influenced by the acoustics of the playback environment. More specifically, the response is influenced by the room's dimensional ratios, types of construction and location of the subwoofer within that environment. You can significantly improve the subwoofer's in-room response and efficiency by experimenting with various room placements until you find an optimum location.

When placing the subwoofer there are several general guidelines that should be kept in mind. These include:

- Every acoustic space is unique and experimentation is an important key in finding the best possible location in your particular environment.
- A subwoofer becomes more acoustically efficient (has greater output) as you move it closer to a room surface (e.g. wall or floor).
- A subwoofer will give maximum output and maximum acoustic excitement when it is located in a corner.
- Under certain acoustic conditions corner locations are optimum; in others they can excite multiple "room modes", producing "muddy" or "boomy" sound.

### The following methods have been found to work successfully under most conditions:

The first method described below doesn't require any special test equipment. It does require a pair of good ears and familiar broad-spectrum music material – recordings with lots of energy across a wide frequency range (from low to high). The recordings should be highly dynamic and be of relatively high quality.

The second subwoofer placement method requires using a real time analyzer – such as those made by Gold Line™ or The Audio Toolbox(TM) by TerraSonde(TM). Although many home audio enthusiasts may not have access to this equipment, if you are having a sound system or home theatre system professionally installed, this information may be useful to the installer.

#### Method 1

Place the subwoofer at the main listening position and connect and make sure it is properly connected to your receiver. Turn on the CD or music source and make sure that the level of the subwoofer has been raised high enough so that low frequencies are not masked by the background noise in the room. Once you have roughly balanced the level, between the sub and main speakers, move around the room and pay careful attention to where the spectral response is smoothest and has the greatest low frequency extension, pay special attention to the corners and along the walls. Also, make sure to pay attention to where the system has its' greatest impact and definition. You are not just listening for the most boom, but rather where the bass is most accurate and natural sounding. Remember, because the subwoofer is basically omnidirectional, the best spot for the subwoofer can be next to, or even behind, the main monitoring area.

After finding the spot where the subwoofer has the best response in the room, place the subwoofer in that location. Now, listen from the main position and confirm that the subwoofers response is similar to when the positions were reversed. If it is, then leave the

subwoofer in that location. If not, continue to experiment with the subwoofer location until the most accurate and best response has been achieved.

#### Method 2

Subwoofer placement using a real time analyzer – Such as those made by Gold Line™ or The Audio Toolbox™ by TerraSonde™.

Place the subwoofer at the main listening position and connect the subwoofer to your pink noise generator. Turn on your pink noise generator and make sure that the level of the subwoofer has been raised high enough so that low frequencies are not masked by the background noise in the room. Now set the analyzer to 1/12 octave resolution (or whichever setting provides the highest resolution on your particular analyzer), real time mode and begin to take measurements around the room. If the analyzer you are using has the ability to do real time averaging, then use this function to better analyze the spectral response.

As you walk around the room, be sure to pay careful attention to where the spectral response is smoothest and has the greatest low frequency extension, pay special attention to the corners and along the walls. Remember, because the subwoofer is basically omnidirectional, the best spot for the subwoofer can be next to, or even behind, the main monitoring area.

After analyzing the data and finding the spot where the subwoofer has the best response in the room, place the subwoofer in that location. Now, take some additional measurements from the listening position and confirm that the subwoofers response is similar to when the positions were reversed. If it is, then leave the subwoofer in that location. If not, continue to experiment with the subwoofer location until the smoothest and best response has been achieved.

#### Additional Notes

It has been found that a subwoofers' in-room response can sometimes be improved by facing the drivers toward a wall. Again, experimentation is the key to finding the best possible location.

Properly designed subwoofers generate tremendous energy, so they may vibrate objects close to them. If you hear buzzing or vibrating objects, make sure to try and dampen those objects. Rattling, buzzing and other sympathetic resonances can make the subwoofer localizable and therefore should be avoided. Using a sine wave generator can be helpful in locating these acoustic anomalies.

# 9. Technical Information

This next section outlines the components, specifications and performance data that make this product such a uniquely high value.

In order to continually improve all of its products Blue Sky reserves the right to change these specifications without notice.

## SUB 8 Universal Active Subwoofer

### Enclosure

- \* .75" MDF with 1" front and rear baffle
- \* Isolation feet included
- \* Dimensions: 13" H x 16" W x 13.37" D (15.76" with heatsink and grill)
- \* Weight 48.5lbs / 22kg

### 8" Hemispherical Woofer

- \* 8-inch high excursion woofer
- \* Vented motor structure
- \* Cast aluminum frame
- \* 2.0" voice coil
- \* Aluminum alloy cone

### Electrical Specification

- \* Input Voltage 115/230 VAC 50/60Hz switchable
- \* Wattage 200 Watts
- \* Fuse 115VAC 2A - 250 V 5x20mm (Time Delay or Slo-Blo)  
230VAC 1.25A - 250 V 5x20mm (Time Delay or Slo-Blo)

### Amplifier

- \* Discrete symmetrical bipolar design
- \* 100 Watts RMS into 4-Ohm
- \* .01% THD + noise at rated power @ 100 Hz
- \* XLR balanced input
- \* Adjustable gain control
- \* Voltage Sensitivity 100mv=90dB SPL@1m
- \* Frequency Response (SUB IN - anechoic) 35 to 200Hz
- \* Typical in room response (SUB IN) 20 to 200Hz (3000 cubic feet)

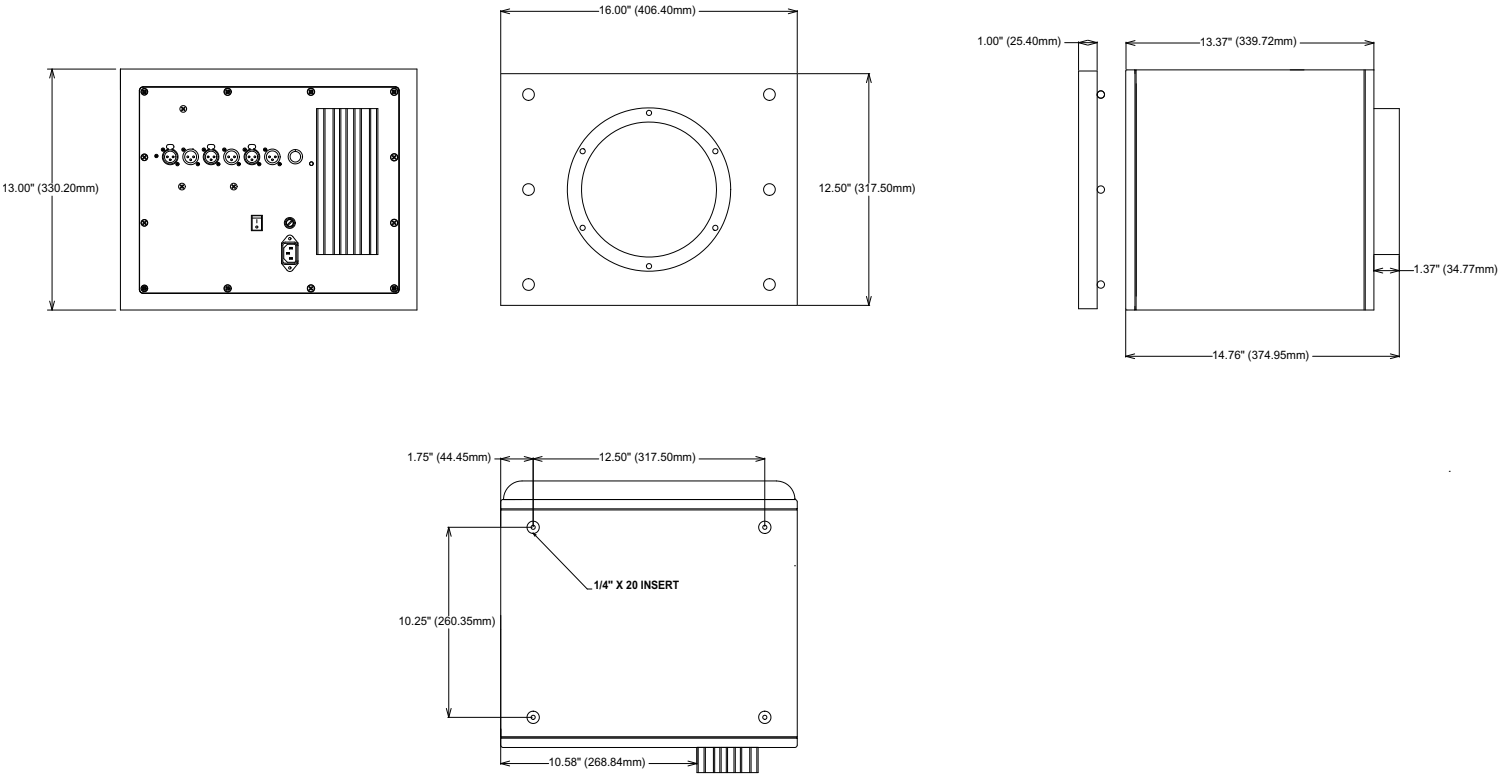
### Bass-Management Section

- \* Input impedance 20K balanced
- \* Common mode rejection 40dB typical @ 60Hz
- \* Maximum Input Level +24dBu balanced
- \* Output Impedance 200 Ohms balanced
- \* Nominal gain 0dB
- \* SUB IN low pass filter None

### Switchable Filter Settings

- \* SAT 5 Mode
  - High Pass Filter None (uses filter in SAT 5)
  - Low Pass Filter 80Hz 4th Order
- \* Universal Mode
  - Dual independently tunable state variable high pass and low pass filters
  - Frequency Range 50Hz to 160Hz
  - Filter Slope 4th Order

# 12. SUB 8 Universal Cabinet Dimensions



## 13. Factory Service Instructions

Service for the U.S. versions of Blue Sky products is available only from our authorized distributor, Group One Ltd., located in Farmingdale, New York. (Service for Blue Sky products outside the United States can be obtained through local dealers or distributors.) If your monitor needs service, follow these instructions:

1. Review the manual and ensure that you have followed all setup and operating instructions.
2. Call (516) 249-1399 9:00am to 5:30pm EST and ask for Customer Service. Explain the problem and request an RA (Return Authorization) number. It is important to have your product serial number available when you call. You must have an RA number before you can obtain service.
3. Pack the product in its original packing material and box (do not return the power cord or the manual). If you don't have the original packing material and/or box, please let Customer Service know when you call for the RA number. Blue Sky is not responsible for any damage that occurs due to non-factory packaging.
4. Include a legible note stating your name, shipping address (no P.O. boxes), daytime phone number, RA number, and a detailed description of the problem, including how it can be duplicated
5. Write the RA number on the top of the carton.
6. Ship the product to the address below. We recommend United Parcel Service (UPS). Please insure the product regardless of shipping method.

**Blue Sky International**  
**ATTN: SERVICE DEPT / RA#**  
**70 Sea Lane**  
**Farmingdale, NY 11735**  
**USA**

7. Turnaround time is three to five business days depending on the problem. When calling for RA numbers, please ask Customer Service what the turnaround time is. The serviced product will be sent back to you via the same shipping method as received (i.e. if you ship your monitor UPS Ground it will be returned UPS Ground, UPS Red will be returned UPS Red etc...). This only applies to products serviced under the warranty.

## 14. General Contact Details

For sales and other enquiries, please contact Blue Sky at:

**Blue Sky International**  
**70 Sea Lane**  
**Farmingdale, NY 11735**  
**USA**

tel: 516 249 1399  
fax: 516 249 8870  
email: [info@abluesky.com](mailto:info@abluesky.com)

To discover the very latest information check out our website at:

[www.abluesky.com](http://www.abluesky.com)







**Blue Sky International**

70 Sea Lane  
Farmingdale, NY 11735  
[www.abluesky.com](http://www.abluesky.com)